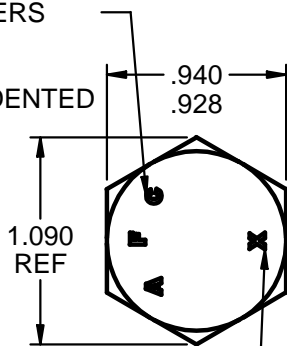
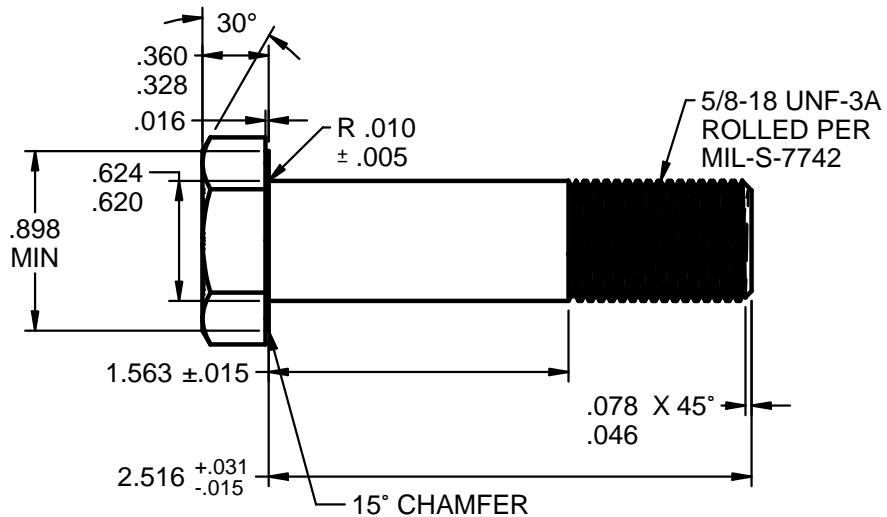


MANUFACTURERS

"AFC" LOGO  
.030 MAX  
RAISED OR INDENTED



"X" ALLOY STEEL  
GRADE MARK



SCALE: 1X

**DESIGN NOTES:** AN10-23A AIRFRAME BOLT

1. LENGTH 2-33/64" (2.516"), GRIP 1-9/16" (1.563"), THREAD 5/8-18 UNF-3A.
2. PROCUREMENT SPECIFICATION NASM6812.
3. MATERIAL ALLOY STEEL PER PROCUREMENT SPECIFICATION.  
UNS G40370 AMS6300 DFAR EXEMPT  
UNS G87400 AMS6322 DFAR APPLIES  
UNS G41400 AMS6382 DFAR APPLIES  
UNS G41300 AMS-S-6758 DFAR APPLIES
4. HEAT TREAT AMS-2759 HRC 26-32.
5. FINISH CADMIUM PLATED PER AMS-QQ-P-416, TYPE 2 (YELLOW), CLASS 2.
6. THREADS 5/8-18 UNF-3A ROLLED PROCESS PER MIL-S-7742.
7. TENSILE 30,100 LBS. [133,891 N] MIN.
8. YIELD 23,080 LBS. [102,665 N] MIN.
9. SINGLE SHEAR 23,000 LBS. [102,309 N] MIN. SHORT LENGTH N/A.



ACTUAL SIZE

EXAMPLE PART NUMBER

AFC 10-23 C2 CADMIUM TYPE 2 YELLOW PLATING  
AFC 10-23 C1 CADMIUM TYPE 1 PLAIN WHITE PLATING  
AFC 10-23 TDC THERMAL DIFFUSION COATED ASTM A1059

↑ FINISH  
↑ LENGTH 2.516"  
↑ BODY SIZE & THREAD .625-18 UNF-3A  
↑ MANUFACTURER AIRFASCO

**UNCONTROLLED**

CONFORMS TO: NASM3 THRU NASM20  
PART NUMBER: AN10-23A

DIMENSIONS ARE IN INCHES AND TOLERANCES ARE AS SHOWN BELOW. DIMENSIONAL TOLERANCES AND SYMBOLS PER ANSI Y14.5M-1982	PROPRIETARY PARTS SHOWN IN THIS DRAWING ARE THE SUBJECT OF ISSUED UNITED STATES AND FOREIGN PATENTS AND PATENTS PENDING. UNAUTHORIZED REPRODUCTION AND/OR DISTRIBUTION OF THIS DRAWING IS STRICTLY PROHIBITED.		<b>AIRFASCO.com</b> 2655 HARRISON AVE SW, CANTON, OHIO 44706 USA		
	APPROVALS		DATE	PART NUMBER: AN10-23A_AFC10-23C2	REV
ANGLES	±5°	DRAWN	M.B.	2/19/15	EST. WEIGHT: .279 / EACH LBS. [126.7 g]
.XX	±.03"	CHECKED	T.W.	2/19/15	
.XXX	±.010"	ENG APPR	B.E.	2/19/15	SCALE: 1X   DRAWING NUMBER: AN10-23A_AFC10-23C2   SHEET 1 OF 1
.XXXX	±.001"	MGR APPR	D.D.	2/19/15	