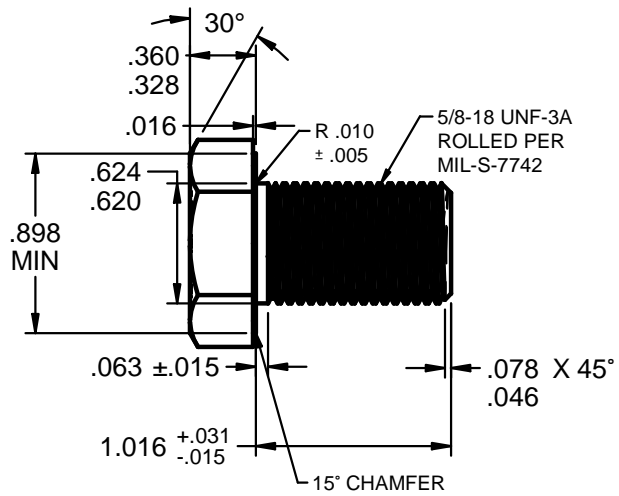
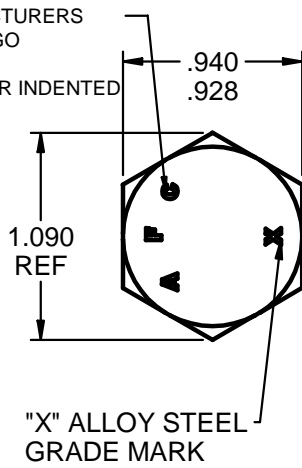


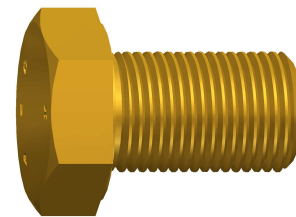
MANUFACTURERS
"AFC" LOGO
.030 MAX
RAISED OR INDENTED



SCALE: 1X

DESIGN NOTES: AN10-7A AIRFRAME BOLT

1. LENGTH 1-1/64" (1.016"), GRIP 1/16" (.063"), THREAD 5/8-18 UNF-3A.
2. PROCUREMENT SPECIFICATION NASM6812.
3. MATERIAL ALLOY STEEL PER PROCUREMENT SPECIFICATION.
UNS G40370 AMS6300 DFAR EXEMPT
UNS G87400 AMS6322 DFAR APPLIES
UNS G41400 AMS6382 DFAR APPLIES
UNS G41300 AMS-S-6758 DFAR APPLIES
4. HEAT TREAT AMS-2759 HRC 26-32.
5. FINISH CADMIUM PLATED PER AMS-QQ-P-416, TYPE 2 (YELLOW), CLASS 2.
6. THREADS 5/8-18 UNF-3A ROLLED PROCESS PER MIL-S-7742.
7. TENSILE 30,100 LBS. [133,891 N] MIN.
8. YIELD 23,080 LBS. [102,665 N] MIN.
9. SINGLE SHEAR 23,000 LBS. [102,309 N] MIN. SHORT LENGTH N/A.



ACTUAL SIZE

EXAMPLE PART NUMBER

AFC 10-7 C2 - CADMIUM TYPE 2 YELLOW PLATING
AFC 10-7 C1 - CADMIUM TYPE 1 PLAIN WHITE PLATING
AFC 10-7 TDC - THERMAL DIFFUSION COATED ASTM A1059

↑ FINISH
↑ LENGTH 1.016"
↑ BODY SIZE & THREAD .625-18 UNF-3A
↑ MANUFACTURER AIRFASCO

UNCONTROLLED

CONFORMS TO: NASM3 THRU NASM20
PART NUMBER: AN10-7A

DIMENSIONS ARE IN INCHES AND TOLERANCES ARE AS SHOWN BELOW. DIMENSIONAL TOLERANCES AND SYMBOLS PER ANSI Y14.5M-1982	PROPRIETARY PARTS SHOWN IN THIS DRAWING ARE THE SUBJECT OF ISSUED UNITED STATES AND FOREIGN PATENTS AND PATENTS PENDING. UNAUTHORIZED REPRODUCTION AND/OR DISTRIBUTION OF THIS DRAWING IS STRICTLY PROHIBITED.		AIRFASCO.com 2655 HARRISON AVE SW, CANTON, OHIO 44706 USA	
	APPROVALS DRAWN M.B. CHECKED T.W. ENG APPR B.E. MGR APPR D.D.		DATE 2/19/15 2/19/15 2/19/15	
ANGLES ±5° .XX ±.03" .XXX ±.010" .XXXX ±.001"	PART NUMBER: AN10-7A_AFC10-7C2		REV	
	SIZE A MATERIAL: 4037 / 8740 OR AS NOTED		EST. WEIGHT: .146 / EACH LBS. [66.3 g]	
	SCALE: 1X		DRAWING NUMBER: AN10-7A_AFC10-7C2 SHEET 1 OF 1	