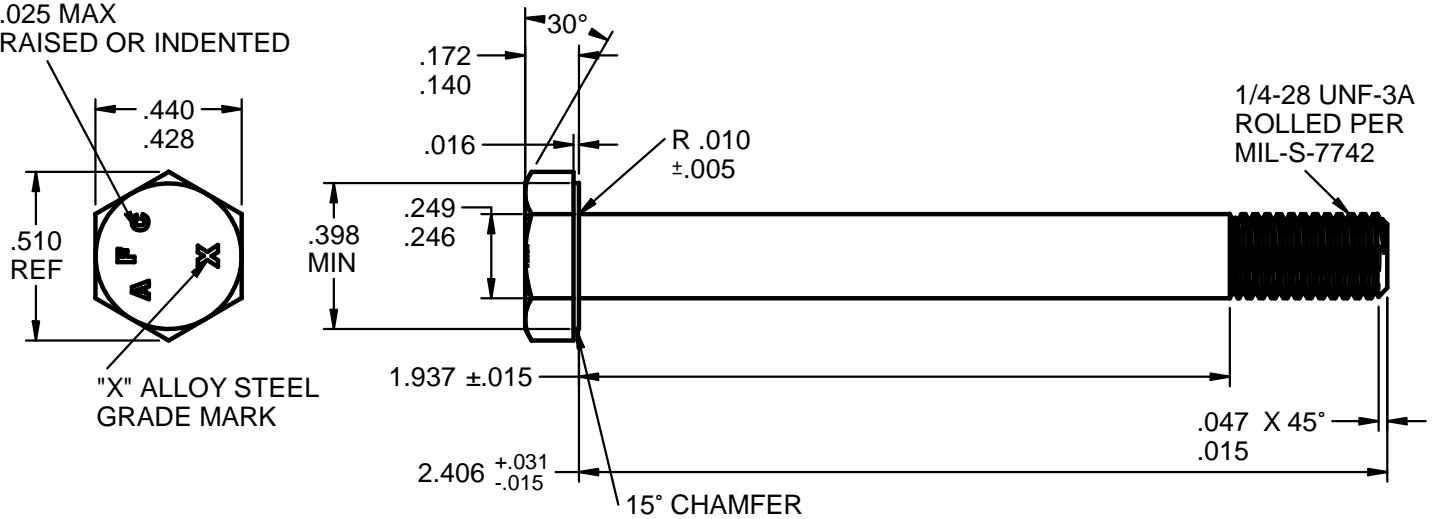


MANUFACTURERS  
"AFC" LOGO  
.025 MAX  
RAISED OR INDENTED



SCALE: 1.75X

**DESIGN NOTES: AN4-23A AIRFRAME BOLT**

1. LENGTH 2-13/32" (2.406"), GRIP 1-15/16" (1.937"), THREAD 1/4-28 UNF-3A.
2. PROCUREMENT SPECIFICATION NASM6812.
3. PREFERRED MATERIAL ALLOY STEEL PER PROCUREMENT SPECIFICATION.  
UNS G40370 AMS6300 DFAR EXEMPT  
UNS G87400 AMS6322 DFAR APPLIES  
UNS G41400 AMS6382 DFAR APPLIES  
UNS G41300 AMS-S-6758 DFAR APPLIES
4. HEAT TREAT AMS-2759 HRC 26-32.
5. FINISH CADMIUM PLATED PER AMS-QQ-P-416, TYPE 2 (YELLOW), CLASS 2.
6. THREADS 1/4-28 UNF-3A ROLLED PROCESS PER MIL-S-7742.
7. TENSILE 4,080 LBS. [18,148 N] MIN.
8. YIELD 3,130 LBS. [13,922 N] MIN.
9. SINGLE SHEAR 3,680 LBS. [16,369 N] MIN. SHORT LENGTH N/A.

EXAMPLE PART NUMBER

AFC 4-23 C2 CADMIUM TYPE 2 YELLOW PLATING  
AFC 4-23 C1 CADMIUM TYPE 1 PLAIN WHITE PLATING  
AFC 4-23 TDC THERMAL DIFFUSION COATED ASTM A1059

↑ FINISH  
↑ LENGTH 2.406"  
↑ BODY SIZE & THREAD .25-28 UNF-3A  
↑ MANUFACTURER AIRFASCO



ACTUAL SIZE

**UNCONTROLLED**

CONFORMS TO: NASM3 THRU NASM20  
PART NUMBER: AN4-23A

DIMENSIONS ARE IN INCHES AND TOLERANCES ARE AS SHOWN BELOW. DIMENSIONAL TOLERANCES AND SYMBOLS PER ANSI Y14.5M-1982	PROPRIETARY PARTS SHOWN IN THIS DRAWING ARE THE SUBJECT OF ISSUED UNITED STATES AND FOREIGN PATENTS AND PATENTS PENDING. UNAUTHORIZED REPRODUCTION AND/OR DISTRIBUTION OF THIS DRAWING IS STRICTLY PROHIBITED.			<b>AIRFASCO.com</b>	
	APPROVALS			2655 HARRISON AVE SW, CANTON, OHIO 44706 USA	
ANGLES ±5°	DRAWN C.D.	DATE 6/10/13	PART NUMBER: AN4-23A_AFC4-23C2		REV
.XX ±.03"	CHECKED T.W.	6/10/13	SIZE A	MATERIAL: 4037 / 8740 OR AS NOTED	EST. WEIGHT: .038/ EACH LBS. [17.4 g]
.XXX ±.010"	ENG APPR B.E.	6/10/13	SCALE: 1.75X		DRAWING NUMBER: AN4-23A_AFC4-23C2
.XXXX ±.001"	MGR APPR D.D.	6/10/13	SHEET 1 OF 1		