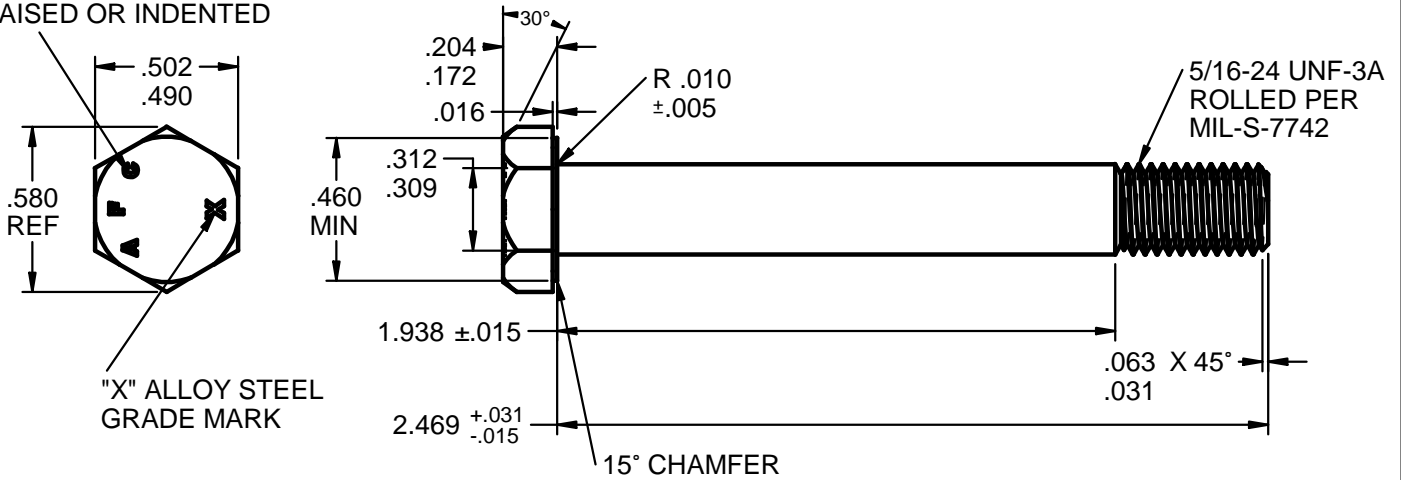


MANUFACTURERS
"AFC" LOGO
.025 MAX
RAISED OR INDENTED



SCALE: 1.5X

DESIGN NOTES: AN5-23A AIRFRAME BOLT

1. LENGTH 2-15/32" (2.469"), GRIP 1-15/16" (1.938"), THREAD 5/16-24 UNF-3A.
2. PROCUREMENT SPECIFICATION NASM6812.
3. MATERIAL ALLOY STEEL PER PROCUREMENT SPECIFICATION.
UNS G40370 AMS6300 DFAR EXEMPT
UNS G87400 AMS6322 DFAR APPLIES
UNS G41400 AMS6382 DFAR APPLIES
UNS G41300 AMS-S-6758 DFAR APPLIES
4. HEAT TREAT AMS-2759 HRC 26-32.
5. FINISH CADMIUM PLATED PER AMS-QQ-P-416, TYPE 2 (YELLOW), CLASS 2.
6. THREADS 5/16-24 UNF-3A ROLLED PROCESS PER MIL-S-7742.
7. TENSILE 6,500 LBS. [28,913 N] MIN.
8. YIELD 4,980 LBS. [22,152 N] MIN.
9. SINGLE SHEAR 5,750 LBS. [25,577 N] MIN. SHORT LENGTH N/A.



ACTUAL SIZE

EXAMPLE PART NUMBER

AFC 5-23 C2 CADMIUM TYPE 2 YELLOW PLATING
AFC 5-23 C1 CADMIUM TYPE 1 PLAIN WHITE PLATING
AFC 5-23 TDC THERMAL DIFFUSION COATED ASTM A1059

↑ FINISH
↑ LENGTH 2.469"
↑ BODY SIZE & THREAD .312-24 UNF-3A
↑ MANUFACTURER AIRFASCO

UNCONTROLLED

CONFORMS TO: NASM3 THRU NASM20
PART NUMBER: AN5-23A

DIMENSIONS ARE IN INCHES AND TOLERANCES ARE AS SHOWN BELOW. DIMENSIONAL TOLERANCES AND SYMBOLS PER ANSI Y14.5M-1982	PROPRIETARY PARTS SHOWN IN THIS DRAWING ARE THE SUBJECT OF ISSUED UNITED STATES AND FOREIGN PATENTS AND PATENTS PENDING. UNAUTHORIZED REPRODUCTION AND/OR DISTRIBUTION OF THIS DRAWING IS STRICTLY PROHIBITED.		AIRFASCO.com 2655 HARRISON AVE SW, CANTON, OHIO 44706 USA	
	APPROVALS DRAWN C.D. DATE 6/10/13 CHECKED T.W. 6/10/13 ENG APPR B.E. 6/10/13 MGR APPR D.D. 6/10/13		PART NUMBER: AN5-23A_AFC5-23C2 REV	
ANGLES ±5° .XX ±.03" .XXX ±.010" .XXXX ±.001"	SIZE A MATERIAL: 4037 / 8740 OR AS NOTED SCALE: 1.5X		EST. WEIGHT: .061 / EACH LBS. [28.1 g] DRAWING NUMBER: AN5-23A_AFC5-23C2 SHEET 1 OF 1	