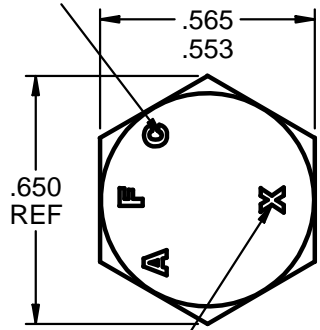
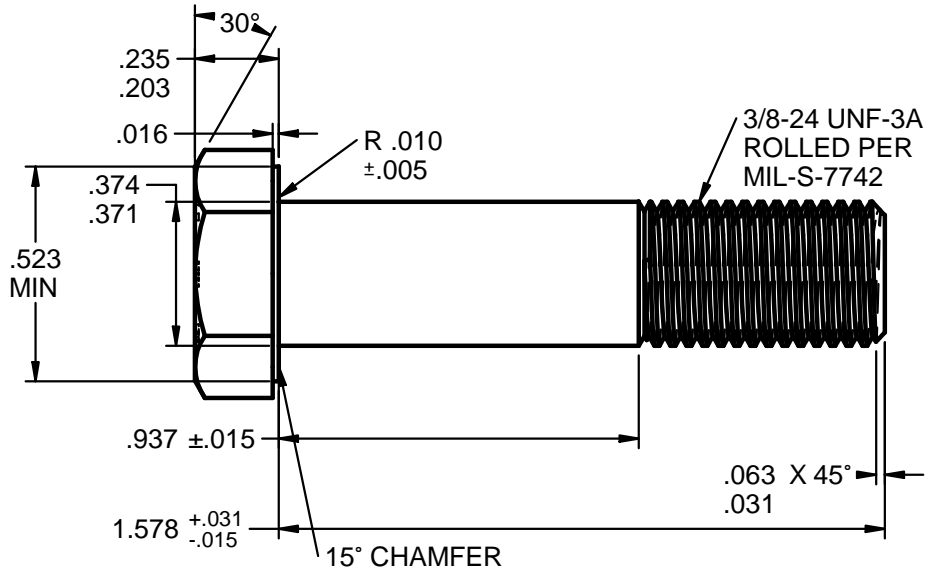


MANUFACTURERS

"AFC" LOGO
 .025 MAX
 RAISED OR INDENTED



"X" ALLOY STEEL
 GRADE MARK



SCALE: 2X

DESIGN NOTES: AN6-14A AIRFRAME BOLT

1. LENGTH 1-37/64" (1.578"), GRIP 15/16" (.937"), THREAD 3/8-24 UNF-3A.
2. PROCUREMENT SPECIFICATION NASM6812.
3. MATERIAL ALLOY STEEL PER PROCUREMENT SPECIFICATION.
 UNS G40370 AMS6300 DFAR EXEMPT
 UNS G87400 AMS6322 DFAR APPLIES
 UNS G41400 AMS6382 DFAR APPLIES
 UNS G41300 AMS-S-6758 DFAR APPLIES
4. HEAT TREAT AMS-2759 HRC 26-32.
5. FINISH CADMIUM PLATED PER AMS-QQ-P-416, TYPE 2 (YELLOW), CLASS 2.
6. THREADS 3/8-24 UNF-3A ROLLED PROCESS PER MIL-S-7742.
7. TENSILE 10,100 LBS. [44,927 N] MIN.
8. YIELD 7,740 LBS. [34,429 N] MIN.
9. SINGLE SHEAR 8,280 LBS. [36,831 N] MIN. SHORT LENGTH N/A.

EXAMPLE PART NUMBER

AFC 6-14 C2- CADMIUM TYPE 2 YELLOW PLATING
 AFC 6-14 C1- CADMIUM TYPE 1 PLAIN WHITE PLATING
 AFC 6-14 TDC- THERMAL DIFFUSION COATED ASTM A1059

↑ FINISH
 ↑ LENGTH 1.578"
 ↑ BODY SIZE & THREAD .375-24 UNF-3A
 ↑ MANUFACTURER AIRFASCO



ACTUAL SIZE

UNCONTROLLED

CONFORMS TO: NASM3 THRU NASM20
 PART NUMBER: AN6-14A

DIMENSIONS ARE IN INCHES AND TOLERANCES ARE AS SHOWN BELOW. DIMENSIONAL TOLERANCES AND SYMBOLS PER ANSI Y14.5M-1982	PROPRIETARY PARTS SHOWN IN THIS DRAWING ARE THE SUBJECT OF ISSUED UNITED STATES AND FOREIGN PATENTS AND PATENTS PENDING. UNAUTHORIZED REPRODUCTION AND/OR DISTRIBUTION OF THIS DRAWING IS STRICTLY PROHIBITED.		AIRFASCO.com 2655 HARRISON AVE SW, CANTON, OHIO 44706 USA	
	APPROVALS DRAWN M.B. DATE 3/3/14 CHECKED T.W. DATE 3/3/14 ENG APPR B.E. DATE 3/3/14 MGR APPR D.D. DATE 3/3/14		PART NUMBER: AN6-14A_AFC6-14C2	REV
ANGLES ±5° .XX ±.03" .XXX ±.010" .XXXX ±.001"	SIZE A MATERIAL: 4037 / 8740 OR AS NOTED		EST. WEIGHT: .062 / EACH LBS. [28.4 g]	
SCALE: 2X		DRAWING NUMBER: AN6-14A_AFC6-14C2		SHEET 1 OF 1