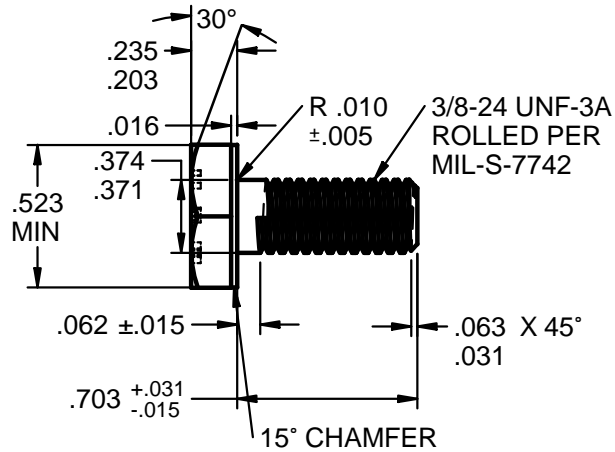
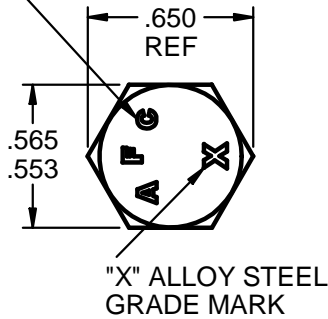


MANUFACTURERS
"AFC" LOGO
.025 MAX
RAISED OR INDENTED



SCALE: 2X

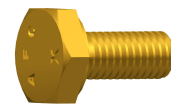
DESIGN NOTES: AN6-5A AIRFRAME BOLT

1. LENGTH 45/64" (.703"), GRIP 1/16" (.062"), THREAD 3/8-24 UNF-3A.
2. PROCUREMENT SPECIFICATION NASM6812.
3. MATERIAL ALLOY STEEL PER PROCUREMENT SPECIFICATION.
UNS G40370 AMS6300 DFAR EXEMPT
UNS G87400 AMS6322 DFAR APPLIES
UNS G41400 AMS6382 DFAR APPLIES
UNS G41300 AMS-S-6758 DFAR APPLIES
4. HEAT TREAT AMS-2759 HRC 26-32.
5. FINISH CADMIUM PLATED PER AMS-QQ-P-416, TYPE 2 (YELLOW), CLASS 2.
6. THREADS 3/8-24 UNF-3A ROLLED PROCESS PER MIL-S-7742.
7. TENSILE 10,100 LBS. [44,927 N] MIN.
8. YIELD 7,740 LBS. [34,429 N] MIN.
9. SINGLE SHEAR 8,280 LBS. [36,831 N] MIN. SHORT LENGTH N/A.

EXAMPLE PART NUMBER

AFC 6-5 C2 - CADMIUM TYPE 2 YELLOW PLATING
AFC 6-5 C1 - CADMIUM TYPE 1 PLAIN WHITE PLATING
AFC 6-5 TDC - THERMAL DIFFUSION COATED ASTM A1059

↑ FINISH
↑ LENGTH .703"
↑ BODY SIZE & THREAD .375-24 UNF-3A
↑ MANUFACTURER AIRFASCO



ACTUAL SIZE

UNCONTROLLED

CONFORMS TO: NASM3 THRU NASM20
PART NUMBER: AN6-5A

DIMENSIONS ARE IN INCHES AND TOLERANCES ARE AS SHOWN BELOW. DIMENSIONAL TOLERANCES AND SYMBOLS PER ANSI Y14.5M-1982	PROPRIETARY PARTS SHOWN IN THIS DRAWING ARE THE SUBJECT OF ISSUED UNITED STATES AND FOREIGN PATENTS AND PATENTS PENDING. UNAUTHORIZED REPRODUCTION AND/OR DISTRIBUTION OF THIS DRAWING IS STRICTLY PROHIBITED.		AIRFASCO.com 2655 HARRISON AVE SW, CANTON, OHIO 44706 USA	
	APPROVALS DRAWN C.D. CHECKED T.W. ENG APPR B.E. MGR APPR D.D.		DATE 6/10/13 6/10/13 6/10/13 6/10/13	
ANGLES ±5° .XX ±.03" .XXX ±.010" .XXXX ±.001"	PART NUMBER: AN6-5A_AFC6-5C2		REV	
	SIZE A		MATERIAL: 4037 / 8740 OR AS NOTED	
	SCALE: 2X		EST. WEIGHT: .034 / EACH LBS. [15.6 g]	
	DRAWING NUMBER: AN6-5A_AFC6-5C2		SHEET 1 OF 1	