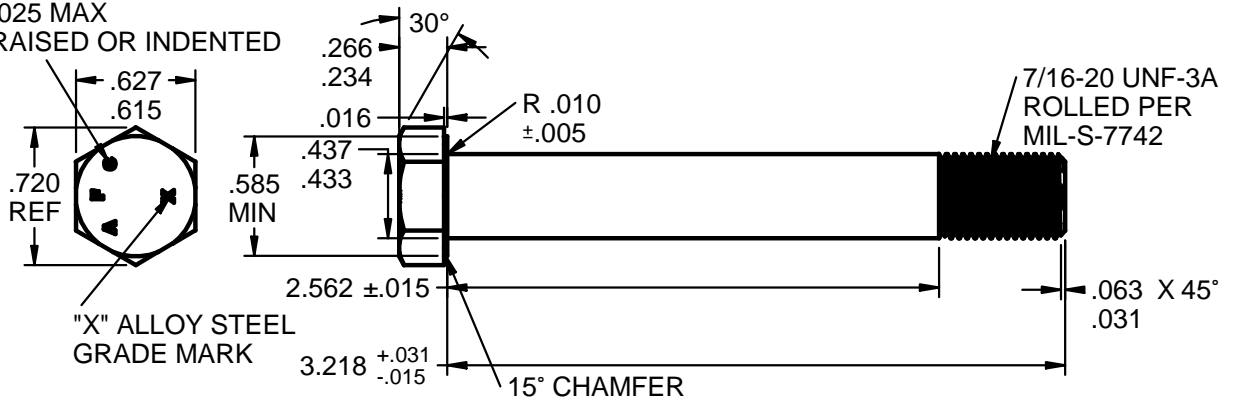


MANUFACTURERS  
"AFC" LOGO  
.025 MAX  
RAISED OR INDENTED



SCALE: 1X

**DESIGN NOTES: AN7-31A AIRFRAME BOLT**

1. LENGTH 3-7/32" (3.218"), GRIP 2-9/16" (2.562"), THREAD 7/16-20 UNF-3A.
2. PROCUREMENT SPECIFICATION NASM6812.
3. MATERIAL ALLOY STEEL PER PROCUREMENT SPECIFICATION.  
UNS G40370 AMS6300 DFAR EXEMPT  
UNS G87400 AMS6322 DFAR APPLIES  
UNS G41400 AMS6382 DFAR APPLIES  
UNS G41300 AMS-S-6758 DFAR APPLIES
4. HEAT TREAT AMS-2759 HRC 26-32.
5. FINISH CADMIUM PLATED PER AMS-QQ-P-416, TYPE 2 (YELLOW), CLASS 2.
6. THREADS 7/16-20 UNF-3A ROLLED PROCESS PER MIL-S-7742.
7. TENSILE 13,600 LBS. [60,495 N] MIN.
8. YIELD 10,430 LBS. [46,394 N] MIN.
9. SINGLE SHEAR 11,250 LBS. [50,042 N] MIN. SHORT LENGTH N/A.



ACTUAL SIZE

EXAMPLE PART NUMBER

AFC 7-31 C2 - CADMIUM TYPE 2 YELLOW PLATING  
 AFC 7-31 C1 - CADMIUM TYPE 1 PLAIN WHITE PLATING  
 AFC 7-31 TDC - THERMAL DIFFUSION COATED ASTM A1059

↑ FINISH  
 ↑ LENGTH 3.218"  
 ↑ BODY SIZE & THREAD .437-20 UNF-3A  
 ↑ MANUFACTURER AIRFASCO

**UNCONTROLLED**

CONFORMS TO: NASM3 THRU NASM20  
 PART NUMBER: AN7-31A

DIMENSIONS ARE IN INCHES AND TOLERANCES ARE AS SHOWN BELOW. DIMENSIONAL TOLERANCES AND SYMBOLS PER ANSI Y14.5M-1982	PROPRIETARY PARTS SHOWN IN THIS DRAWING ARE THE SUBJECT OF ISSUED UNITED STATES AND FOREIGN PATENTS AND PATENTS PENDING. UNAUTHORIZED REPRODUCTION AND/OR DISTRIBUTION OF THIS DRAWING IS STRICTLY PROHIBITED.		<b>AIRFASCO.com</b> 2655 HARRISON AVE SW, CANTON, OHIO 44706 USA	
	APPROVALS DRAWN M.B. CHECKED T.W. ENG APPR B.E. MGR APPR D.D.		DATE 4/11/14 4/11/14 4/11/14 4/11/14	
ANGLES ±5° .XX ±.03" .XXX ±.010" .XXXX ±.001"	PART NUMBER: AN7-31A_AFC7-31C2		REV	
	SIZE A MATERIAL: 4037 / 8740 OR AS NOTED		EST. WEIGHT: .153 / EACH LBS. [69.5 g]	
	SCALE: 1X		DRAWING NUMBER: AN7-31A_AFC7-31C2 SHEET 1 OF 1	