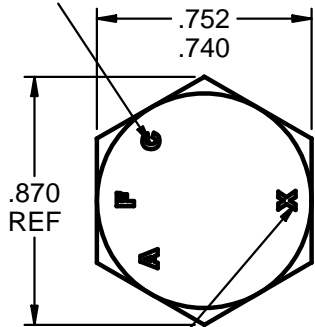
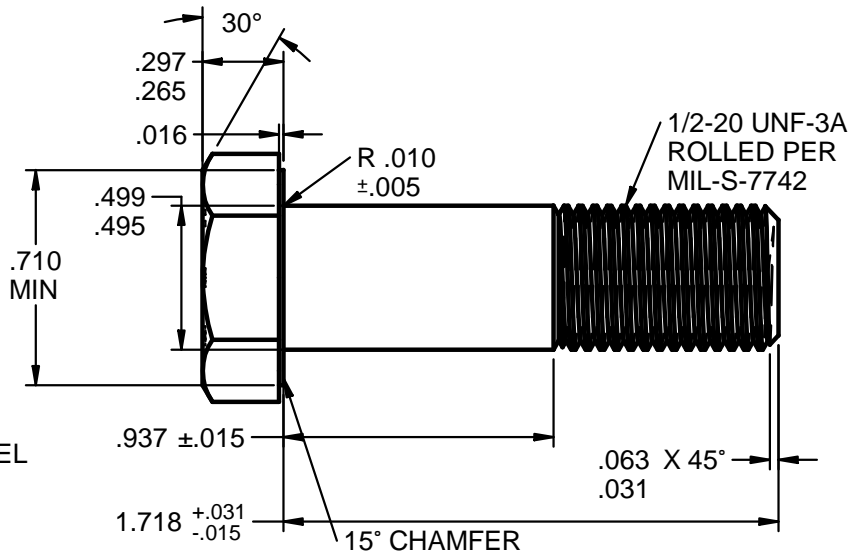


MANUFACTURERS
"AFC" LOGO
.025 MAX
RAISED OR INDENTED



"X" ALLOY STEEL
GRADE MARK



SCALE: 1.5X

DESIGN NOTES: AN8-15A AIRFRAME BOLT

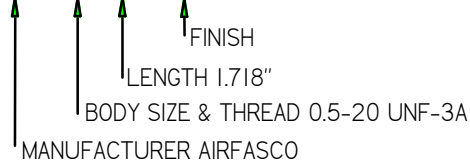
1. LENGTH 1-23/32" (1.718"), GRIP 15/16" (.937"), THREAD 1/2-20 UNF-3A.
2. PROCUREMENT SPECIFICATION NASM6812.
3. MATERIAL ALLOY STEEL PER PROCUREMENT SPECIFICATION.
UNS G40370 AMS6300 DFAR EXEMPT
UNS G87400 AMS6322 DFAR APPLIES
UNS G41400 AMS6382 DFAR APPLIES
UNS G41300 AMS-S-6758 DFAR APPLIES
4. HEAT TREAT AMS-2759 HRC 26-32.
5. FINISH CADMIUM PLATED PER AMS-QQ-P-416, TYPE 2 (YELLOW), CLASS 2.
6. THREADS 1/2-20 UNF-3A ROLLED PROCESS PER MIL-S-7742.
7. TENSILE 18,500 LBS. [82,292 N] MIN.
8. YIELD 14,190 LBS. [63,120 N] MIN.
9. SINGLE SHEAR 14,700 LBS. [65,388 N] MIN. SHORT LENGTH N/A.



ACTUAL SIZE

EXAMPLE PART NUMBER

AFC 8-15 C2 - CADMIUM TYPE 2 YELLOW PLATING
AFC 8-15 C1 - CADMIUM TYPE 1 PLAIN WHITE PLATING
AFC 8-15 TDC - THERMAL DIFFUSION COATED ASTM A1059



UNCONTROLLED

CONFORMS TO: NASM3 THRU NASM20
PART NUMBER: AN8-15A

DIMENSIONS ARE IN INCHES AND TOLERANCES ARE AS SHOWN BELOW. DIMENSIONAL TOLERANCES AND SYMBOLS PER ANSI Y14.5M-1982	PROPRIETARY PARTS SHOWN IN THIS DRAWING ARE THE SUBJECT OF ISSUED UNITED STATES AND FOREIGN PATENTS AND PATENTS PENDING. UNAUTHORIZED REPRODUCTION AND/OR DISTRIBUTION OF THIS DRAWING IS STRICTLY PROHIBITED.		AIRFASCO.com	
	2655 HARRISON AVE SW, CANTON, OHIO 44706 USA			
	APPROVALS	DATE	PART NUMBER: AN8-15A_AFC8-15C2	REV
ANGLES ±5°	DRAWN M.B.	6/5/2014	SIZE A MATERIAL: 4037 / 8740 OR AS NOTED	EST. WEIGHT: .125 / EACH LBS. [57.1 g]
.XX ±.03"	CHECKED T.W.	6/5/2014		
.XXX ±.010"	ENG APPR B.E.	6/5/2014	SCALE: 1.5X DRAWING NUMBER: AN8-15A_AFC8-15C2	SHEET 1 OF 1
.XXXX ±.001"	MGR APPR D.D.	6/5/2014		