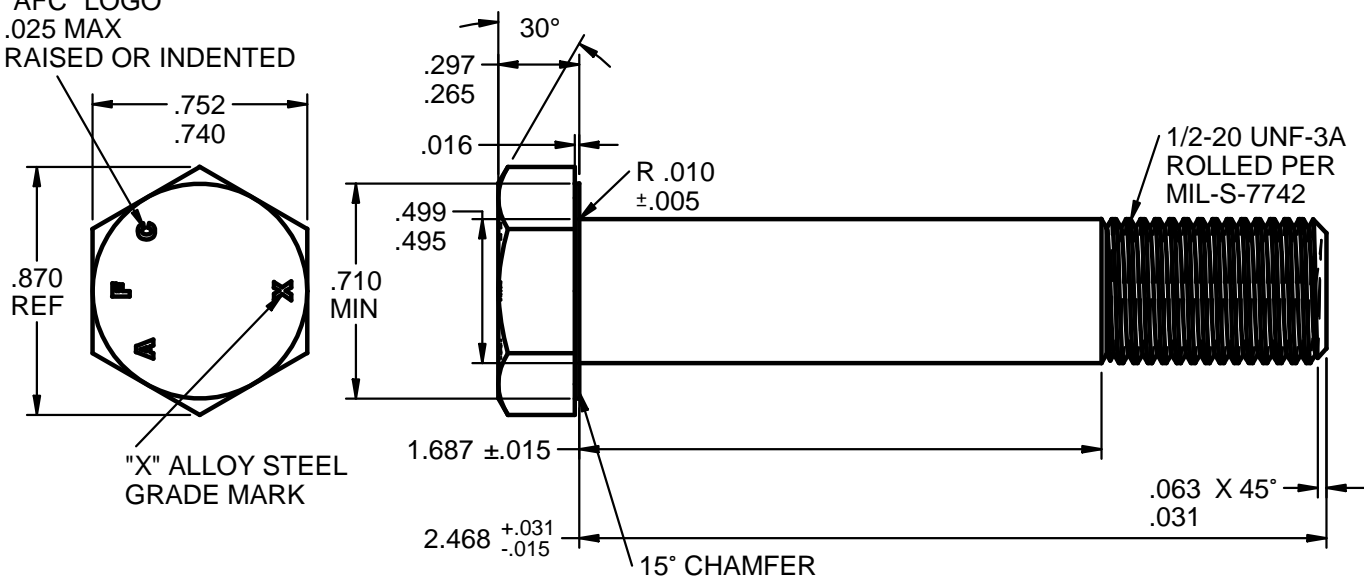


MANUFACTURERS
"AFC" LOGO
.025 MAX
RAISED OR INDENTED



SCALE: 1.5X

DESIGN NOTES: AN8-23A AIRFRAME BOLT

1. LENGTH 2-15/32" (2.468"), GRIP 1-11/16" (1.687"), THREAD 1/2-20 UNF-3A.
2. PROCUREMENT SPECIFICATION NASM6812.
3. MATERIAL ALLOY STEEL PER PROCUREMENT SPECIFICATION.
UNS G40370 AMS6300 DFAR EXEMPT
UNS G87400 AMS6322 DFAR APPLIES
UNS G41400 AMS6382 DFAR APPLIES
UNS G41300 AMS-S-6758 DFAR APPLIES
4. HEAT TREAT AMS-2759 HRC 26-32.
5. FINISH CADMIUM PLATED PER AMS-QQ-P-416, TYPE 2 (YELLOW), CLASS 2.
6. THREADS 1/2-20 UNF-3A ROLLED PROCESS PER MIL-S-7742.
7. TENSILE 18,500 LBS. [82,292 N] MIN.
8. YIELD 14,190 LBS. [63,120 N] MIN.
9. SINGLE SHEAR 14,700 LBS. [65,388 N] MIN. SHORT LENGTH N/A.

EXAMPLE PART NUMBER

AFC 8-23 C2 CADMIUM TYPE 2 YELLOW PLATING
 AFC 8-23 C1 CADMIUM TYPE 1 PLAIN WHITE PLATING
 AFC 8-23 TDC THERMAL DIFFUSION COATED ASTM A1059

↑ FINISH
 ↑ LENGTH 2.468"
 ↑ BODY SIZE & THREAD 0.5-20 UNF-3A
 ↑ MANUFACTURER AIRFASCO



ACTUAL SIZE

UNCONTROLLED

CONFORMS TO: NASM3 THRU NASM20
PART NUMBER: AN8-23A

DIMENSIONS ARE IN INCHES AND TOLERANCES ARE AS SHOWN BELOW. DIMENSIONAL TOLERANCES AND SYMBOLS PER ANSI Y14.5M-1982

PROPRIETARY PARTS SHOWN IN THIS DRAWING ARE THE SUBJECT OF ISSUED UNITED STATES AND FOREIGN PATENTS AND PATENTS PENDING. UNAUTHORIZED REPRODUCTION AND/OR DISTRIBUTION OF THIS DRAWING IS STRICTLY PROHIBITED.

AIRFASCO.com
2655 HARRISON AVE SW, CANTON, OHIO 44706 USA

| APPROVALS | | DATE | PART NUMBER: AN8-23A_AFC8-23C2 | | REV |
|-------------|--------|-----------------------------------|--------------------------------|--------------|-----|
| ANGLES | ±5° | DRAWN M.B. | 6/5/2014 | | |
| .XX | ±.03" | CHECKED T.W. | 6/5/2014 | | |
| .XXX | ±.010" | ENG APPR B.E. | 6/5/2014 | | |
| .XXXX | ±.001" | MGR APPR D.D. | 6/5/2014 | | |
| SCALE: 1.5X | | DRAWING NUMBER: AN8-23A_AFC8-23C2 | | SHEET 1 OF 1 | |