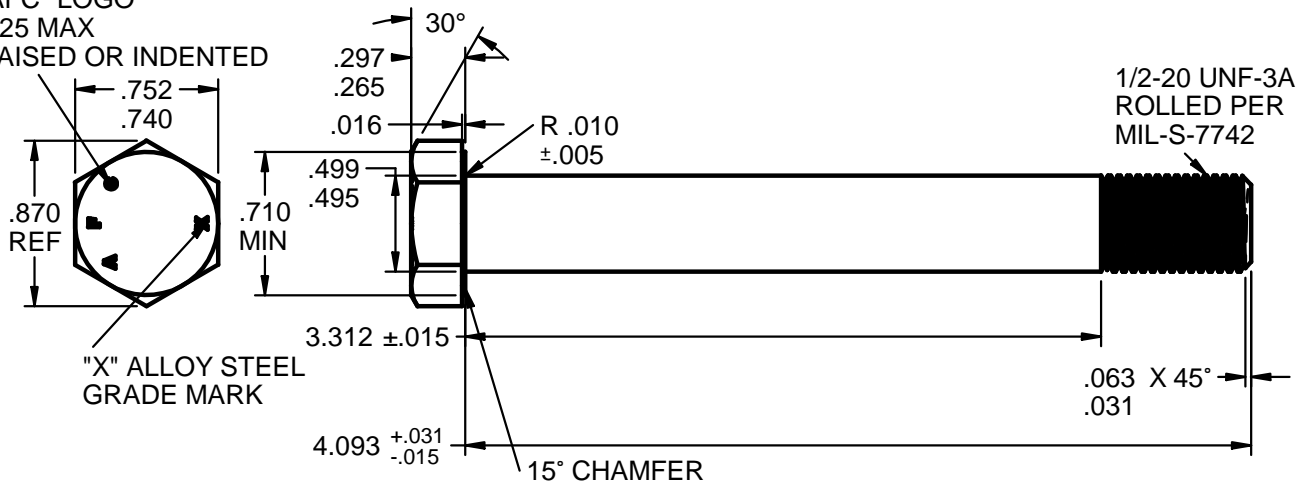


MANUFACTURERS

"AFC" LOGO
.025 MAX
RAISED OR INDENTED



SCALE: 1X

DESIGN NOTES: AN8-40A AIRFRAME BOLT

1. LENGTH 4-3/32" (4.093"), GRIP 3-5/16" (3.312"), THREAD 1/2-20 UNF-3A.
2. PROCUREMENT SPECIFICATION NASM6812.
3. MATERIAL ALLOY STEEL PER PROCUREMENT SPECIFICATION.
UNS G40370 AMS6300 DFAR EXEMPT
UNS G87400 AMS6322 DFAR APPLIES
UNS G41400 AMS6382 DFAR APPLIES
UNS G41300 AMS-S-6758 DFAR APPLIES
4. HEAT TREAT AMS-2759 HRC 26-32.
5. FINISH CADMIUM PLATED PER AMS-QQ-P-416, TYPE 2 (YELLOW), CLASS 2.
6. THREADS 1/2-20 UNF-3A ROLLED PROCESS PER MIL-S-7742.
7. TENSILE 18,500 LBS. [82,292 N] MIN.
8. YIELD 14,190 LBS. [63,120 N] MIN.
9. SINGLE SHEAR 14,700 LBS. [65,388 N] MIN. SHORT LENGTH N/A.



EXAMPLE PART NUMBER

ACTUAL SIZE

AFC 8-40 C2 CADMIUM TYPE 2 YELLOW PLATING
 AFC 8-40 C1 CADMIUM TYPE 1 PLAIN WHITE PLATING
 AFC 8-40 TDC THERMAL DIFFUSION COATED ASTM A1059

↑ FINISH
 ↑ LENGTH 4.093"
 ↑ BODY SIZE & THREAD 0.5-20 UNF-3A
 ↑ MANUFACTURER AIRFASCO

UNCONTROLLED

CONFORMS TO: NASM3 THRU NASM20
PART NUMBER: AN8-40A

DIMENSIONS ARE IN INCHES AND TOLERANCES ARE AS SHOWN BELOW. DIMENSIONAL TOLERANCES AND SYMBOLS PER ANSI Y14.5M-1982	PROPRIETARY PARTS SHOWN IN THIS DRAWING ARE THE SUBJECT OF ISSUED UNITED STATES AND FOREIGN PATENTS AND PATENTS PENDING. UNAUTHORIZED REPRODUCTION AND/OR DISTRIBUTION OF THIS DRAWING IS STRICTLY PROHIBITED.		AIRFASCO.com 2655 HARRISON AVE SW, CANTON, OHIO 44706 USA		
	APPROVALS		DATE	PART NUMBER: AN8-40A_AFC8-40C2	REV
ANGLES	±5°	DRAWN	M.B.	6/5/2014	EST. WEIGHT: .257 / EACH LBS. [116.8 g]
.XX	±.03"	CHECKED	T.W.	6/5/2014	
.XXX	±.010"	ENG APPR	B.E.	6/5/2014	SCALE: 1X DRAWING NUMBER: AN8-40A_AFC8-40C2
.XXXX	±.001"	MGR APPR	D.D.	6/5/2014	