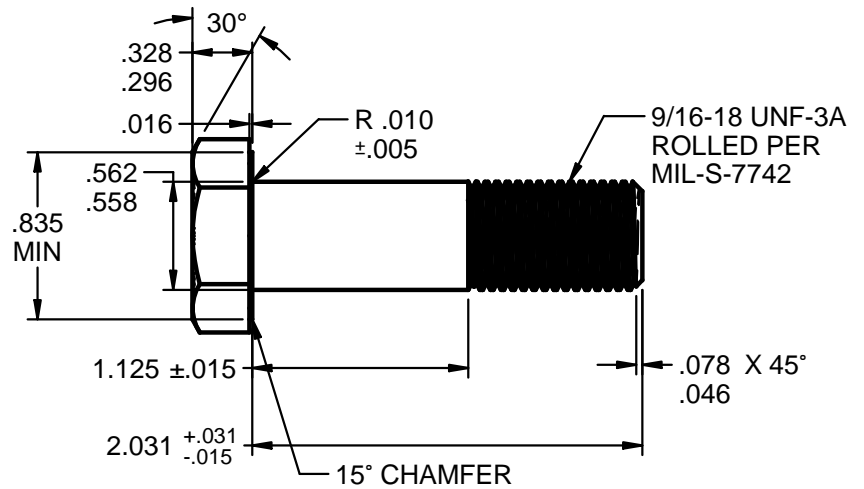
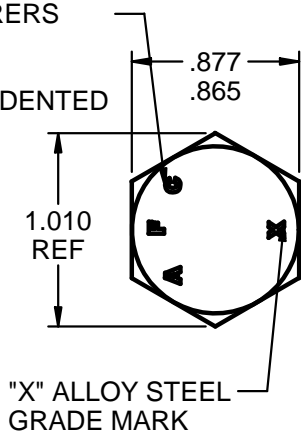


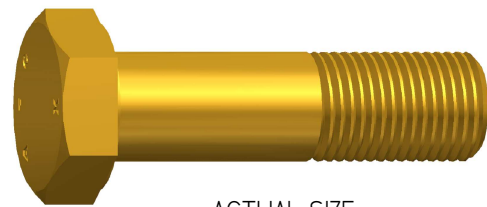
MANUFACTURERS
"AFC" LOGO
.025 MAX
RAISED OR INDENTED



SCALE: 1.0X

DESIGN NOTES: AN9-17A AIRFRAME BOLT

1. LENGTH 2-1/32" (2.031"), GRIP 1-1/8" (1.125"), THREAD 9/16-18 UNF-3A.
2. PROCUREMENT SPECIFICATION NASM6812.
3. MATERIAL ALLOY STEEL PER PROCUREMENT SPECIFICATION.
UNS G40370 AMS6300 DFAR EXEMPT
UNS G87400 AMS6322 DFAR APPLIES
UNS G41400 AMS6382 DFAR APPLIES
UNS G41300 AMS-S-6758 DFAR APPLIES
4. HEAT TREAT AMS-2759 HRC 26-32.
5. FINISH CADMIUM PLATED PER AMS-QQ-P-416, TYPE 2 (YELLOW), CLASS 2.
6. THREADS 9/16-18 UNF-3A ROLLED PROCESS PER MIL-S-7742.
7. TENSILE 23,600 LBS. [104,978 N] MIN.
8. YIELD 18,100 LBS. [80,512 N] MIN.
9. SINGLE SHEAR 18,700 LBS. [83,181 N] MIN. SHORT LENGTH N/A.



ACTUAL SIZE

EXAMPLE PART NUMBER

AFC 9-17 C2 - CADMIUM TYPE 2 YELLOW PLATING
AFC 9-17 C1 - CADMIUM TYPE 1 PLAIN WHITE PLATING
AFC 9-17 TDC - THERMAL DIFFUSION COATED ASTM A1059

↑ FINISH
↑ LENGTH 2.031"
↑ BODY SIZE & THREAD .563-18 UNF-3A
↑ MANUFACTURER AIRFASCO

UNCONTROLLED

CONFORMS TO: NASM3 THRU NASM20
PART NUMBER: AN9-17A

DIMENSIONS ARE IN INCHES AND TOLERANCES ARE AS SHOWN BELOW. DIMENSIONAL TOLERANCES AND SYMBOLS PER ANSI Y14.5M-1982	PROPRIETARY PARTS SHOWN IN THIS DRAWING ARE THE SUBJECT OF ISSUED UNITED STATES AND FOREIGN PATENTS AND PATENTS PENDING. UNAUTHORIZED REPRODUCTION AND/OR DISTRIBUTION OF THIS DRAWING IS STRICTLY PROHIBITED.		AIRFASCO.com 2655 HARRISON AVE SW, CANTON, OHIO 44706 USA		
	APPROVALS		DATE	PART NUMBER: AN9-17A_AFC9-17C2	REV
ANGLES	±5°	DRAWN	M.B.	11/17/14	SCALE: 1.0X
.XX	±.03"	CHECKED	T.W.	11/17/14	
.XXX	±.010"	ENG APPR	B.E.	11/17/14	DRAWING NUMBER: AN9-17A_AFC9-17C2
.XXXX	±.001"	MGR APPR	D.D.	11/17/14	
SIZE A		MATERIAL: 4037 / 8740 OR AS NOTED		EST. WEIGHT: .198 / EACH LBS. [90.2 g]	SHEET 1 OF 1