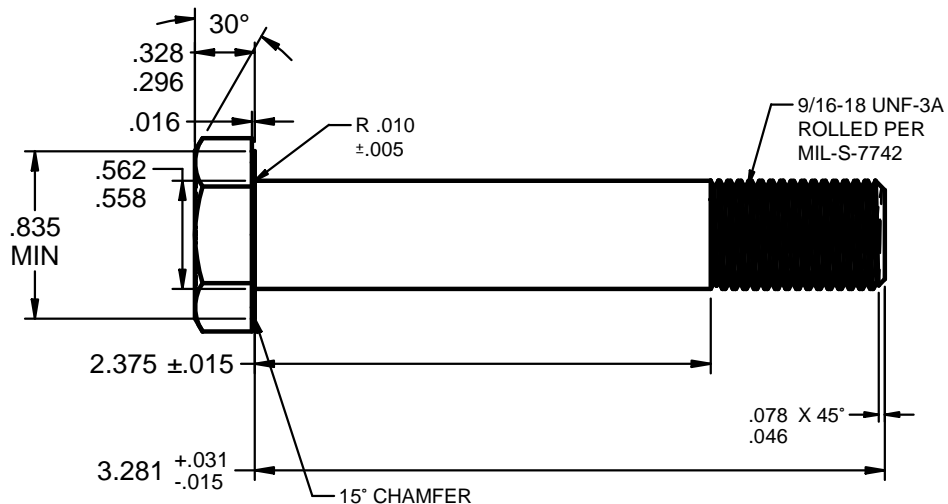
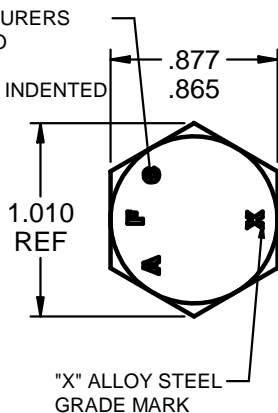


MANUFACTURERS
"AFC" LOGO
.025 MAX
RAISED OR INDENTED



SCALE: 1.0X

DESIGN NOTES: AN9-31A AIRFRAME BOLT

1. LENGTH 3-9/32" (3.281"), GRIP 2-3/8" (2.375"), THREAD 9/16-18 UNF-3A.
2. PROCUREMENT SPECIFICATION NASM6812.
3. MATERIAL ALLOY STEEL PER PROCUREMENT SPECIFICATION.
UNS G40370 AMS6300 DFAR EXEMPT
UNS G87400 AMS6322 DFAR APPLIES
UNS G41400 AMS6382 DFAR APPLIES
UNS G41300 AMS-S-6758 DFAR APPLIES
4. HEAT TREAT AMS-2759 HRC 26-32.
5. FINISH CADMIUM PLATED PER AMS-QQ-P-416, TYPE 2 (YELLOW), CLASS 2.
6. THREADS 9/16-18 UNF-3A ROLLED PROCESS PER MIL-S-7742.
7. TENSILE 23,600 LBS. [104,978 N] MIN.
8. YIELD 18,100 LBS. [80,512 N] MIN.
9. SINGLE SHEAR 18,700 LBS. [83,181 N] MIN. SHORT LENGTH N/A.



ACTUAL SIZE

EXAMPLE PART NUMBER

AFC 9-31 C2 - CADMIUM TYPE 2 YELLOW PLATING
AFC 9-31 C1 - CADMIUM TYPE 1 PLAIN WHITE PLATING
AFC 9-31 TDC - THERMAL DIFFUSION COATED ASTM A1059

↑ FINISH
↑ LENGTH 3.281"
↑ BODY SIZE & THREAD .563-18 UNF-3A
↑ MANUFACTURER AIRFASCO

UNCONTROLLED

CONFORMS TO: NASM3 THRU NASM20
PART NUMBER: AN9-31A

DIMENSIONS ARE IN INCHES AND TOLERANCES ARE AS SHOWN BELOW. DIMENSIONAL TOLERANCES AND SYMBOLS PER ANSI Y14.5M-1982

PROPRIETARY PARTS SHOWN IN THIS DRAWING ARE THE SUBJECT OF ISSUED UNITED STATES AND FOREIGN PATENTS AND PATENTS PENDING. UNAUTHORIZED REPRODUCTION AND/OR DISTRIBUTION OF THIS DRAWING IS STRICTLY PROHIBITED.

AIRFASCO.com

2655 HARRISON AVE SW, CANTON, OHIO 44706 USA

| APPROVALS | | DATE | PART NUMBER: AN9-31A_AFC9-31C2 | | REV | |
|-----------|--------|---------------|--------------------------------|-----------------------------------|-----------------------------------|---|
| ANGLES | ±5° | DRAWN M.B. | 11/17/14 | SIZE A | MATERIAL: 4037 / 8740 OR AS NOTED | EST. WEIGHT: .275 / EACH LBS. [125.1 g] |
| .XX | ±.03" | CHECKED T.W. | 11/17/14 | | | |
| .XXX | ±.010" | ENG APPR B.E. | 11/17/14 | SCALE: 1.0X | | DRAWING NUMBER: AN9-31A_AFC9-31C2 |
| .XXXX | ±.001" | MGR APPR D.D. | 11/17/14 | DRAWING NUMBER: AN9-31A_AFC9-31C2 | | SHEET 1 OF 1 |